



Fox River Tools

Directional Services

EZ-RSS MWD

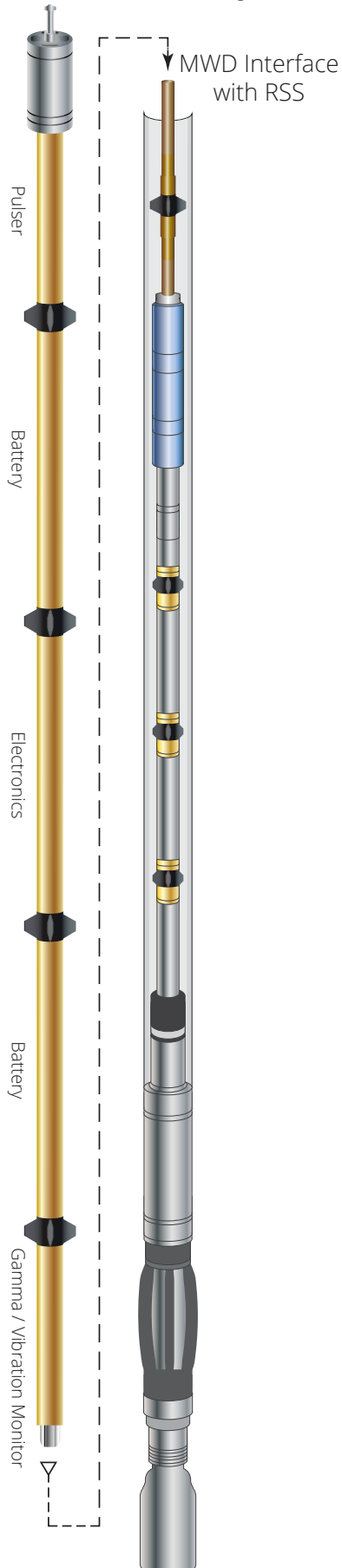
The EZ-RSS MWD tool is a cost-effective solution that provides a direct communication interface with Rotary-Steerable systems. Using a rugged and reliable positive-pulse transmission method, the MWD tool delivers RSS health, drilling dynamics and downlink confirmation, greatly increasing drilling accuracy.

In addition, the EZ-RSS telemeters surveys, vibration data and gamma measurements to the surface in real time giving clients an all-in-one directional drilling package.

FEATURES

- ✓ Rugged modules with high operating temperature (175 °C) and pressure (20,000 psi)
- ✓ Gamma logging and vibration data logged and delivered in real-time
- ✓ Dedicated standalone pulser tool available for delivering RSS data allowing for additional MWD systems in the BHA
- ✓ Custom MWD tool options available
- ✓ Real-time shock and vibration data available
- ✓ Point-the-bit design allows for precise control of both trajectory and build rates
- ✓ Real-time RSS trajectory and health status updates
- ✓ Wellbore logging sensors are located as close to the bit as possible
- ✓ Reliable and precise wellbore placement in all drilling environments
- ✓ Battery powered MWD tool for increased reliability

Full MWD System



Standalone Pulsar

